

# HSF

NOTES:

Current Rating: 0.5 AMP  
 Contact Resistance: 25mΩ max  
 Withstand Voltage: 500V AC  
 Insulation Resistance: 500MΩ  
 Operation Temperature: -55°C~+105°C

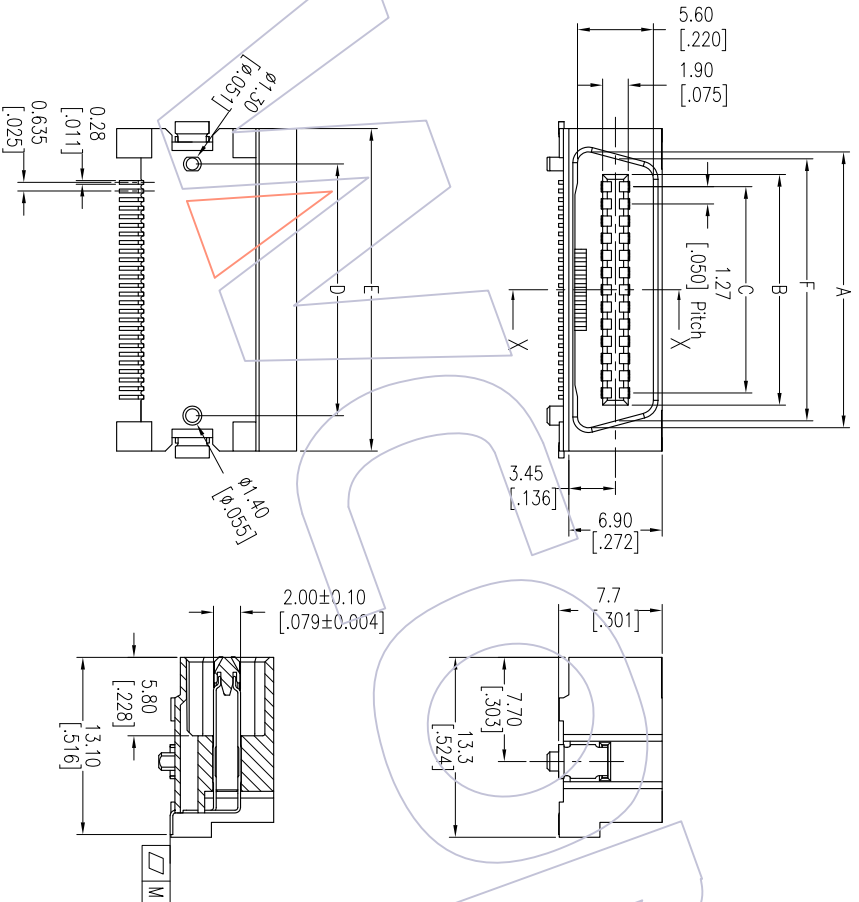
Contact Material: Phosphor Bronze  
 Contact Plating: Au and Sn over Ni  
 Fixing Material: Brass  
 Fixing Plating: Sn over Ni  
 Housing Material: LCP, Black  
 M=0.15Mm(≥40P)  
 M=0.10Mm(< 40P)

## Ordering Information

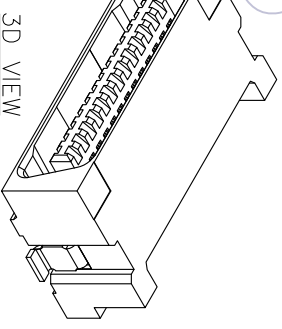
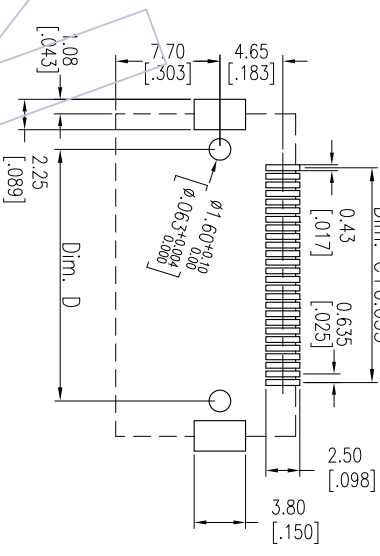
6320D-XXXX RZ XXX P W X 01

No. of Pins      Contact Plating  
 20P 40P      S1=Sn/Gold/Tin  
 26P 50P      S2=Sn/Gold/Tin  
 30P 60P      S3=Sn/Gold/Tin  
 34P 68P      S4=Sn/Gold/Tin  
                  S5=Sn/Gold/Tin

Type      Packing  
 W: With Board Lock      R= Tape & Reel



Recommended P.C.B Layout  
 (Tolerance ±0.05)



POS.	DIM.A	DIM.B	DIM.C	DIM.D	DIM.E	DIM.F
20	16.58	13.23	11.43	14.79	20.03	15.58
26	20.39	17.04	15.24	18.60	23.84	19.39
30	22.93	19.58	17.78	21.14	26.38	21.93
34	25.47	22.12	20.32	23.68	28.92	24.47
40	29.28	25.93	24.13	27.49	32.73	28.28
50	35.63	32.28	30.48	33.84	39.08	34.63
60	41.98	38.63	36.83	40.19	45.43	40.98
68	47.06	43.71	41.91	45.27	50.51	46.06

REV	DATE	MODIFICATION DESCRIPTION	CHANGE	OPERATION	DRAW	DATE	SCALE	FIT	PART NO.
A0	2014/03/24	NEW	---	X.XX	JYHuang	2014/03/24	mm	A4	6320D-XXXXRZXXPWX01
REV	DATE	MODIFICATION DESCRIPTION	CHANGE	ANGLE	APPROVE	DATE	SHEET	PROJ.	TITLE:
				± °			1/1		1.27PITCH SCSI 90° SMT TYPE
				TOL					Customer NO.

# WCON

Http: www.wcon.com  
 WCON-Dongguan      WCON-Kunshan  
 Tel: +86 769 85358920      Tel: +86 512 57468408  
 Fax: +86 769 85358915      Fax: +86 512 57468468  
 E-mail: sales@wcon.com      E-mail: sales@wcon.com