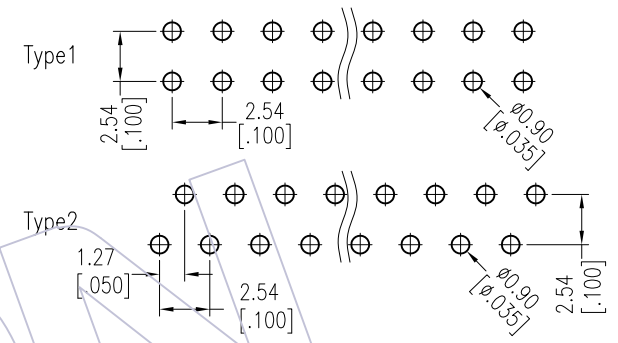
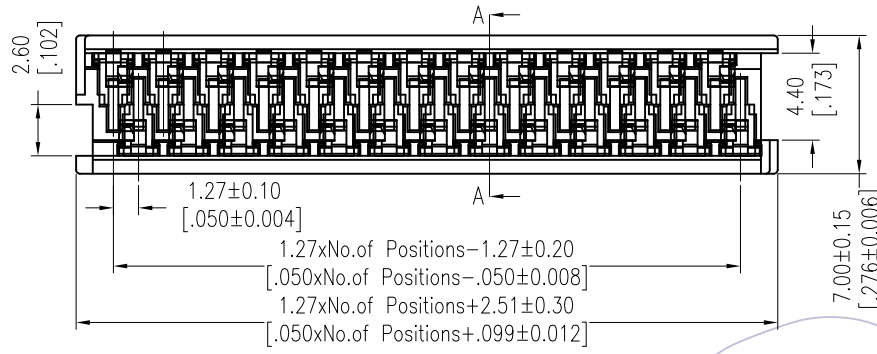


HSF

NOTES:
 Current Rating: 1.2AMP
 Contact Resistance: 20mΩ Max
 Withstand Voltage: 500V AC/DC
 Insulation Resistance: 1000MΩ Min
 Operation Temperature: -40°C to +105°C

Contact Material: Phosphor Bronze
 Contact plating: Sn over Ni
 Insulator Material: PBT+30%G.F UL94V-0

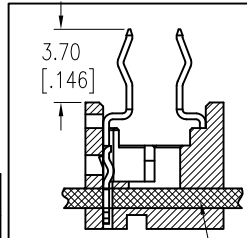
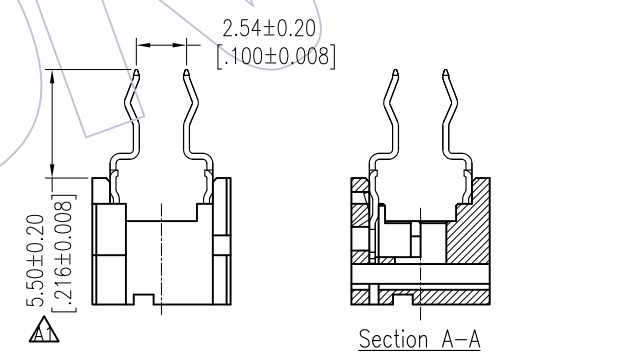
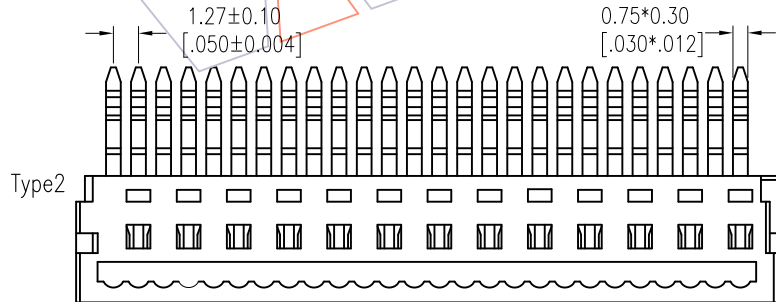
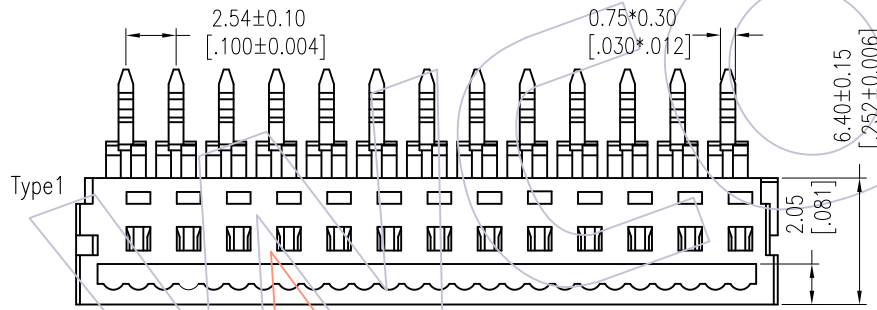
Recommended P.C.B Layout (Top Side)
 (PCB BOARD TOLERANCE ±0.05)



Ordering Information

3901-XX FD XX A N W X X

| No. of Pins | Contact Plating | Insulator | Color | Packing |
|-------------|-----------------|-----------|---------|---------|
| 04 16 | SM=Matte Tin | A=PBT | W=White | T=Tube |
| 06 18 | SN=Tin | | | A=Tray |
| 08 20 | | | | |
| 10 22 | | | | |
| 12 24 | | | | |
| 14 26 | | | | |



| Type | PART NO. |
|-------|------------------|
| Type1 | 3901-XXFDXXANWX1 |
| Type2 | 3901-XXFDXXANWX2 |

| REV | DATE | MODIFICATION DESCRIPTION | CHANGE | OPERATION | DRAW | DATE | SCALE | FIT | PART NO. |
|-----|------------|--|--------|-------------|---------|------------|-------|-----|----------------------------------|
| A2 | 2018/05/15 | Picoflex Connector--1.27mm SPC Connector | ----- | x.X ±0.40 | Ding | 2018/05/15 | UNIT | mm | 3901-XXFDXXANWXX |
| A1 | 2017/08/04 | Modify | ----- | x.XX ±0.25 | CHECK | DATE | SIZE | A4 | TITLE: 1.27mm SPC Connector DIP |
| A0 | 2012/10/22 | NEW | ----- | x.XXX ±0.15 | APPROVE | DATE | SHEET | 1/1 | Customer NO. |
| | | | | Angle ± 3' | | | PROJ. | | |
| | | | | DIM TOL | | | | | |

WCON
 Http: www.wcon.com

| | |
|---|--|
| WCON-Dongguan Tel: +86 769 85358920 Fax: +86 769 85358915 E-mail: sales@wcon.com | WCON-Kunshan Tel: +86 512 57468408 Fax: +86 512 57468468 E-mail: salesks@wcon.com |
|---|--|