



NOTES:

Rated Current:1.0AMP.
 Contact Resistance:20mΩ Max.
 Withstand Voltage:500V AC/DC
 Insulation Resistance:1000MΩ Min.
 Operation Temperature:-40℃ to +105℃

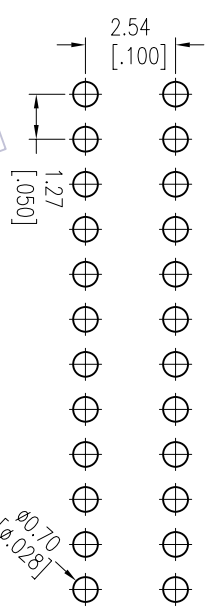
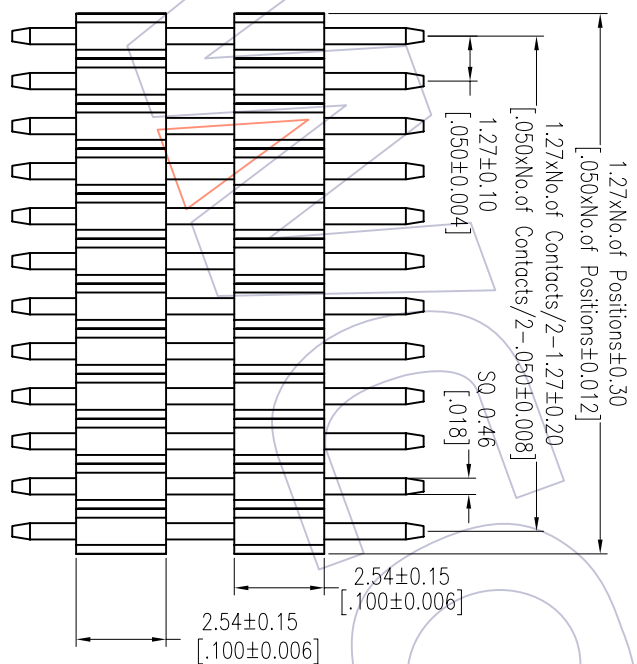
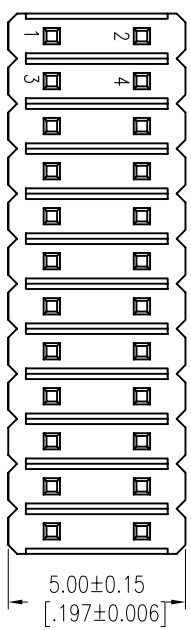
Contact Material:Brass
 Contact Plating:Au or Sn Over Ni
 Insulator Material:PA9T+30%G.F UL94V-0 BK

Ordering Information

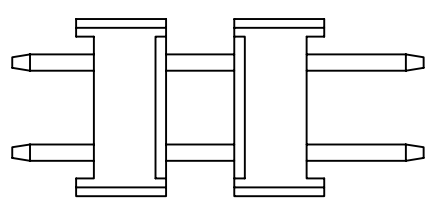
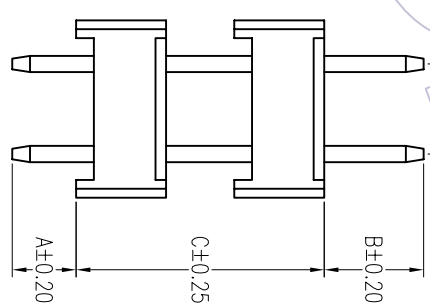
1425-22 XX XX S XXX X X

No.of Pins Contact Plating Pin Length Packing Series No.
 Per Row:02-50 G0=Gold Flash L=A+B+C A=Tray I=Type 1
 G3=10u"Gold Standard: T=Tube 2=Type 2
 G4=15u"Gold
 G5=30u"Gold
 S0=Gold Flash/Tin
 S3=10u"Gold/Tin
 S4=15u"Gold/Tin
 S5=30u"Gold/Tin

Item	Pin Length	A	B	C	Mating
Standard	---	1.80	2.80	---	2446
Alternate	---	1.80	6.00	---	2485



Recommended P.C.B Layout (Top Side)
 (PCB BOARD TOLERANCE ±0.05)



REV	DATE	MODIFICATION DESCRIPTION	CHANGE	OPERATION	DRAW	DATE	SCALE	PART NO.	TITLE:	WCON-Dongguan	WCON-Kunshan
A0	2012/04/06	NEW	---	XX	<i>William Diao</i>	2012.04.06	mm	1425-22XXXXSXXXXX	PH1. 27*2.54 DUAL ROW DOUBLE PLASTIC 180° H=2.54	Tel: +86 769 85358920 Fax: +86 769 85358915 E-mail: sales@wcon.com	Tel: +86 512 57468408 Fax: +86 512 57468468 E-mail: sales@wcon.com
REV	DATE	MODIFICATION DESCRIPTION	CHANGE	OPERATION	DRAW	DATE	SCALE <td>PART NO.</td> <td>TITLE:</td> <td>WCON-Dongguan</td> <td>WCON-Kunshan</td>	PART NO.	TITLE:	WCON-Dongguan	WCON-Kunshan
				XX			mm				
				X.XX	CHECK		A4				
				X.XXX	APPROVE		1/1				
				Angle							
				± 3'							
				± 0.15							
				± 0.25							
				± 0.40							
				± 0.40							



Http: www.wcon.com

WCON-Dongguan
 Tel: +86 769 85358920
 Fax: +86 769 85358915
 E-mail: sales@wcon.com

WCON-Kunshan
 Tel: +86 512 57468408
 Fax: +86 512 57468468
 E-mail: sales@wcon.com